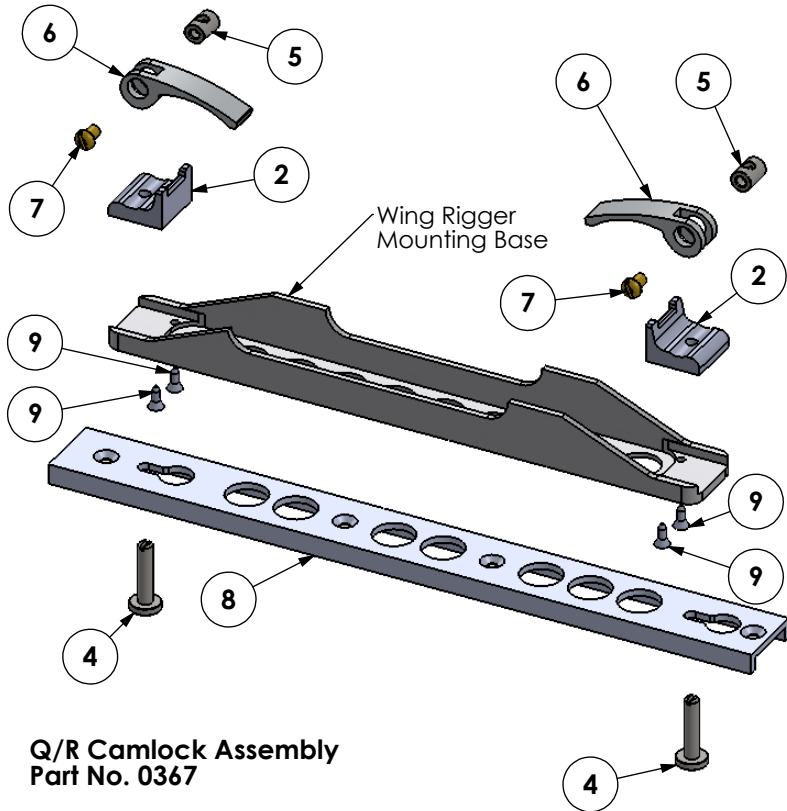
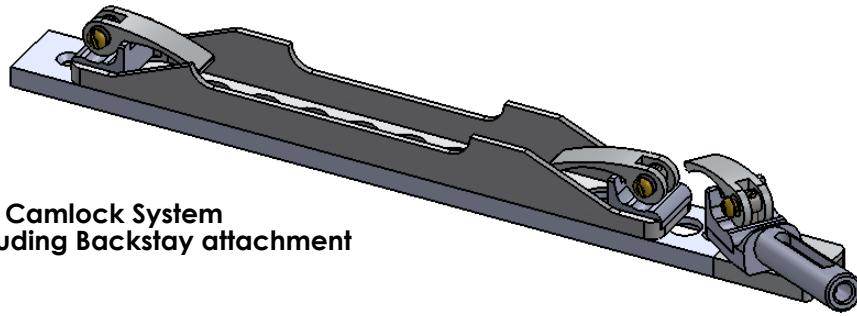
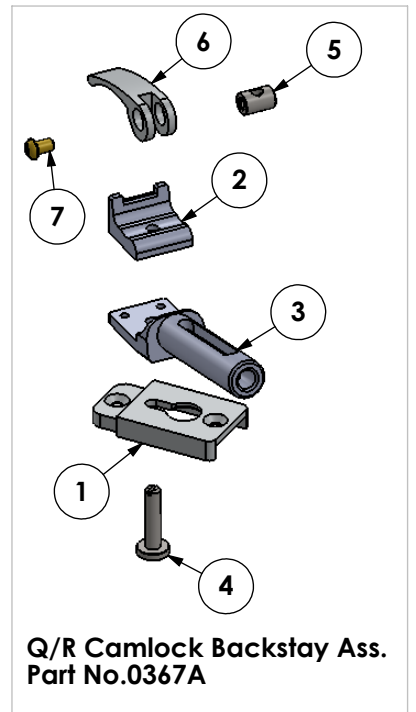


**Q/R Camlock System  
Including Backstay attachment**



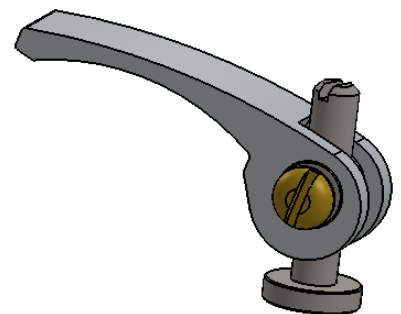
**Q/R Camlock Assembly  
Part No. 0367**



**Q/R Camlock Backstay Ass.  
Part No.0367A**

**Wing Rigger Quick Release System and Components**

ITEM NO.	DESCRIPTION	Part No.
1	Q-R Wing Rig Backstay Boat Mount	0367I
2	Q-R Camlock Nyl Cup WT	0367E
3	Q-R Backstay Telescopic Fitting	0367K
4	Q-R Camlock M6 SS Bolt WT	0367G
5	Q-R Camlock Pivot Pin WT	0367D
6	Q-R Camlock Toggle WT	0367C
7	M5 x 8 Brass Pan Slot Screw	0367F
8	QR Wing Rig Boat Mount	0367H
9	#6 x 0.378 SS Pozie Dr Csk Screw	0367L



**Q/R Camlock Assembly  
Part No. 0367B**