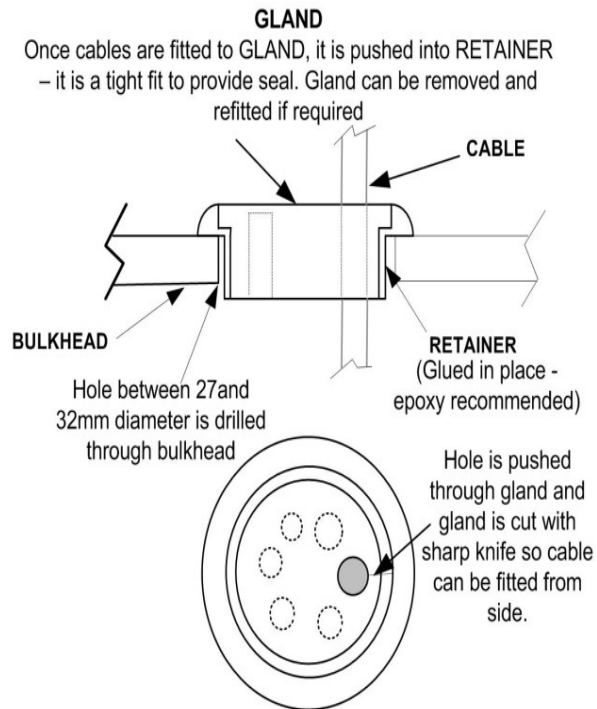


# Coxmate Split Gland



**SPLIT GLAND:** a special split cable gland for sealing cables through bulkheads. This has two parts: a retainer which is epoxied into bulkhead (a hole between 27 and 32mm diameter is required.)

The cables can then be fitted into split gland – without removing connectors and the gland pushed into retainer. The gland will take up to 2x 5mm, 1x4.5mm, 1x4mm, 1x3.6mm and 1x2.5mm diameter cables.

The gland can be fitted without the retainer – it requires a 25mm hole.